

4BCEN-4R-SQA-SS

CENTURY BOLLARD

Square Removable bollard with 45 degree angled top.

From 316L Stainless Steel

Finish: Brushed

Receiver: 9000R-4

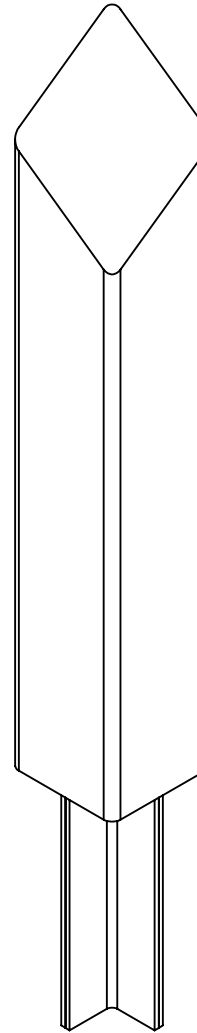
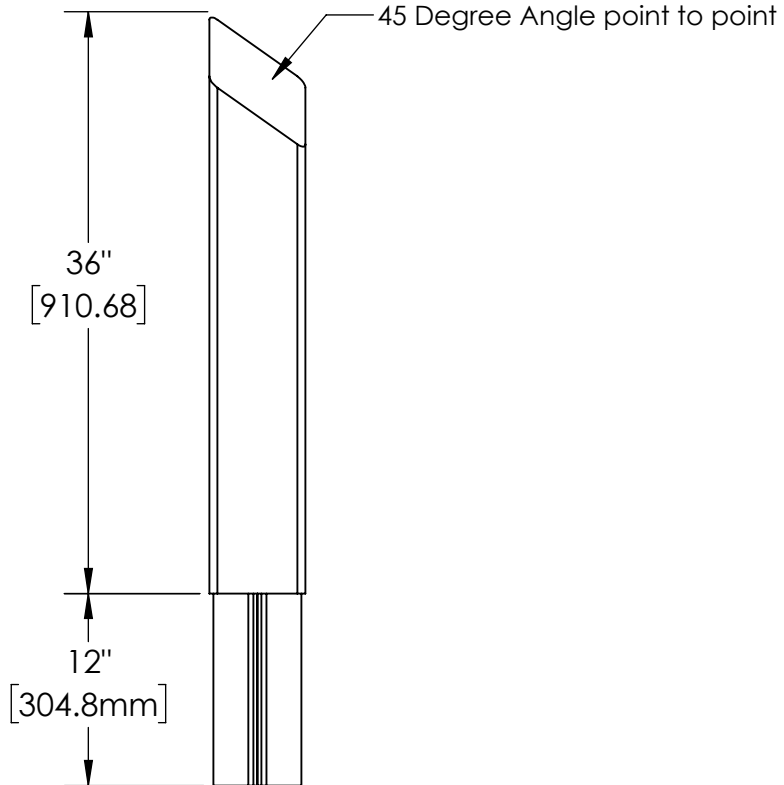
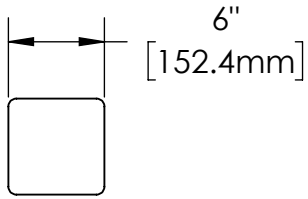
DO NOT SCALE DRAWING

**IRONSMITH**

41-701 Corporate Way #3  
Palm Desert, CA 92260  
(800) 338-4766  
(760) 776-5080 Fax

**PROPRIETARY AND CONFIDENTIAL**

This drawing embodies a confidential design of IRONSMITH, INC. Palm Desert, CA. All design, manufacturing, reproduction, use, sale, and other rights regarding the same are expressly reserved. This drawing is submitted under confidential relationship for a specific purpose and the recipient agrees by accepting this drawing not to supply or disclose any information regarding it to any unauthorized person or to incorporate any special feature peculiar to this design in other projects. The information in this drawing may be covered completely or in part by patents pending.



6BCEN-6R-SQA-SS

CENTURY BOLLARD

Square Removable bollard with 45 degree angled top.

From 304 Stainless Steel

Finish: Brushed

Receiver: 9000R-6

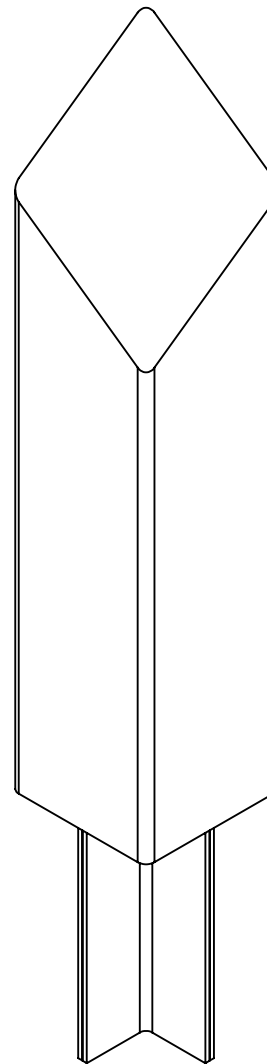
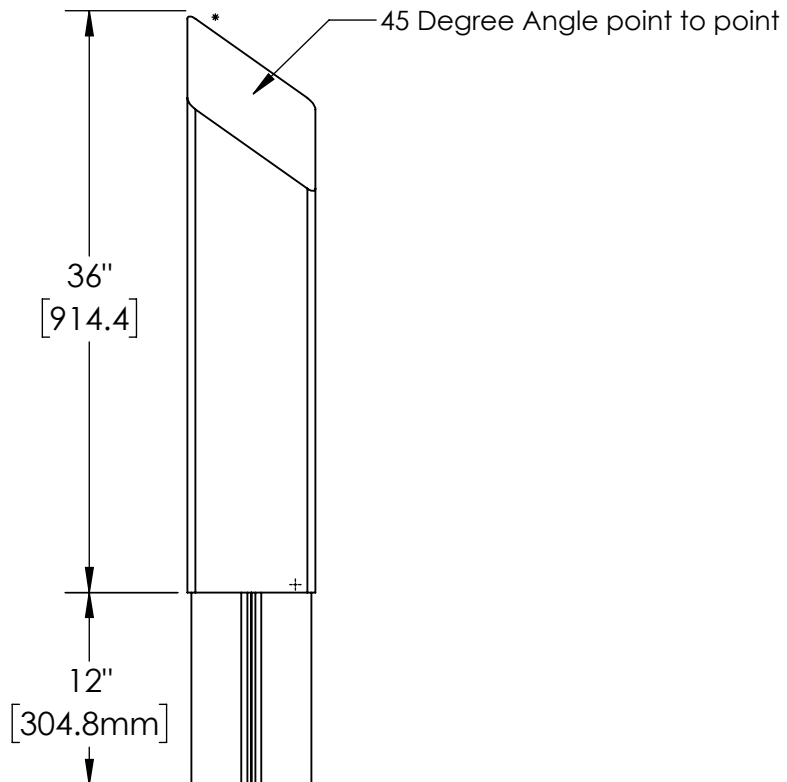
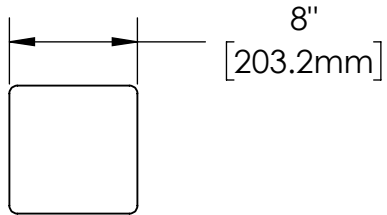
DO NOT SCALE DRAWING

**IRONSMITH**

41-701 Corporate Way #3  
Palm Desert, CA 92260  
(800) 338-4766  
(760) 776-5080 Fax

**PROPRIETARY AND CONFIDENTIAL**

This drawing embodies a confidential design of IRONSMITH, INC. Palm Desert, CA. All design, manufacturing, reproduction, use, sale, and other rights regarding the same are expressly reserved. This drawing is submitted under confidential relationship for a specific purpose and the recipient agrees by accepting this drawing not to supply or disclose any information regarding it to any unauthorized person or to incorporate any special feature peculiar to this design in other projects. The information in this drawing may be covered completely or in part by patents pending.



8BCEN-8R-SQA-SS

CENTURY BOLLARD

Square Removable bollard with 45 degree angled top.

From 304 Stainless Steel

Finish: Brushed

Receiver: 9000R-8

DO NOT SCALE DRAWING

**IRONSMITH**  
41-701 Corporate Way #3  
Palm Desert, CA 92260  
(800) 338-4766  
(760) 776-5080 Fax

**PROPRIETARY AND CONFIDENTIAL**

This drawing embodies a confidential design of IRONSMITH, INC. Palm Desert, CA. All design, manufacturing, reproduction, use, sale, and other rights regarding the same are expressly reserved. This drawing is submitted under confidential relationship for a specific purpose and the recipient agrees by accepting this drawing not to supply or disclose any information regarding it to any unauthorized person or to incorporate any special feature peculiar to this design in other projects. The information in this drawing may be covered completely or in part by patents pending.